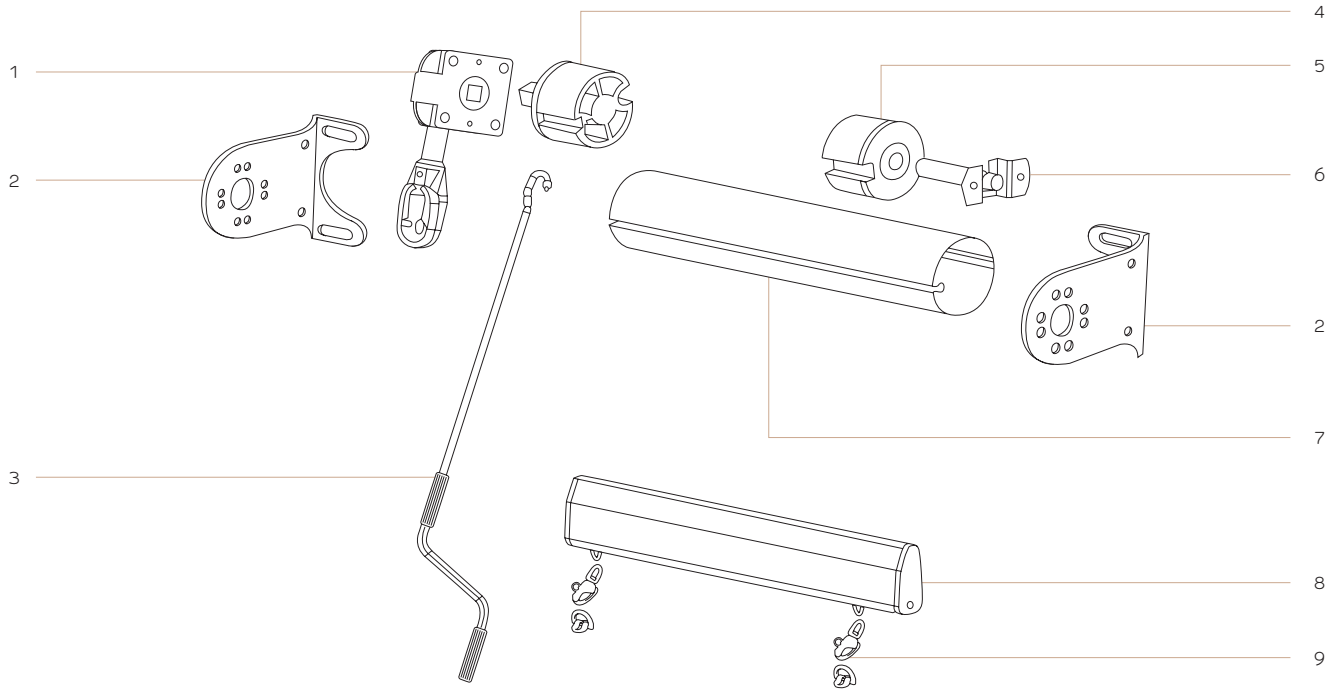
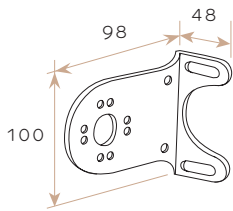


# Café Screen

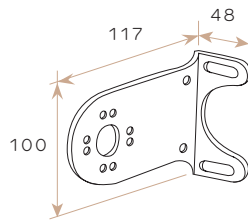


- 1 Gearbox 2 Mounting bracket 3 Crank handle 4 Drive end 5 Idler with hole 6 Pivot pin & plate
- 7 Keyway tube 8 Bottom rail 9 S/S anchor clips

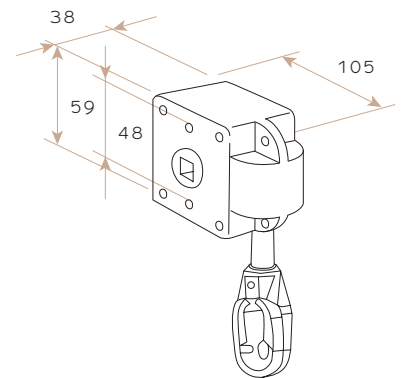
MOUNTING BRACKET 65mm



MOUNTING BRACKET 80mm



GEARBOX 7:1 (mm)



WIDTH X HEIGHT (mm)

