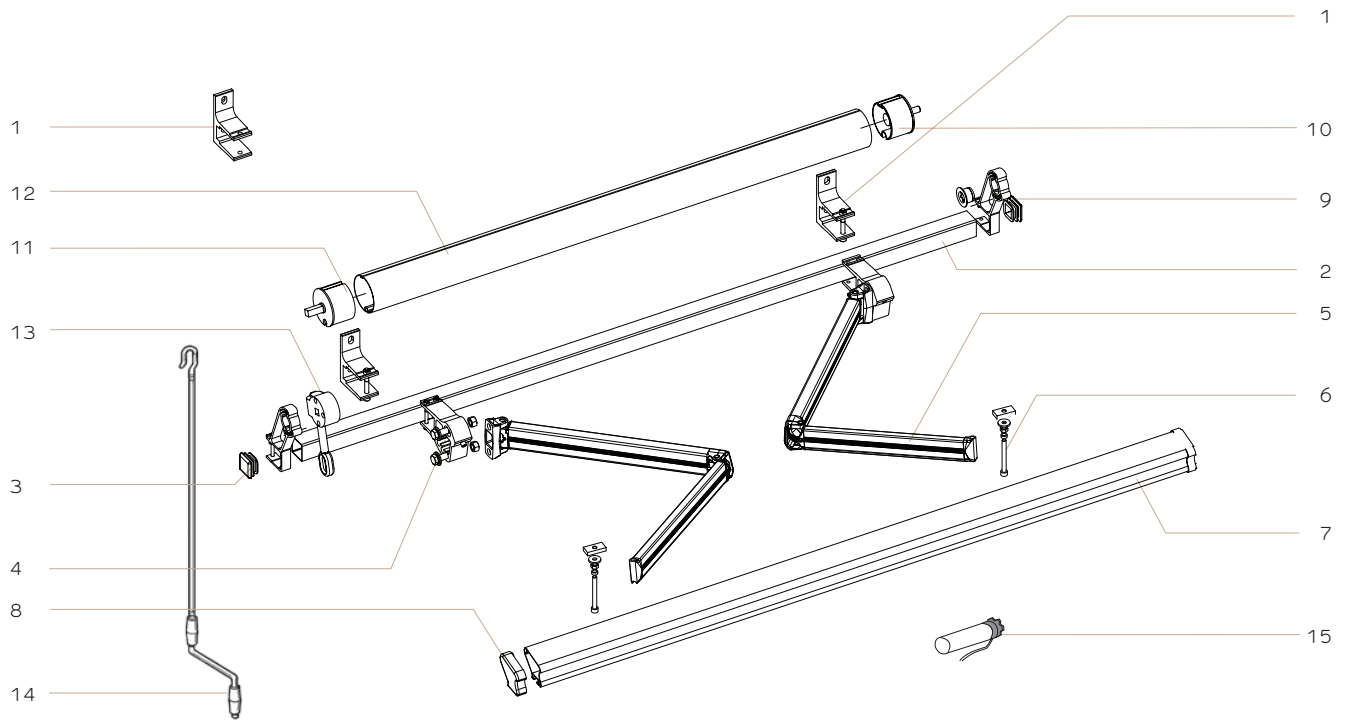
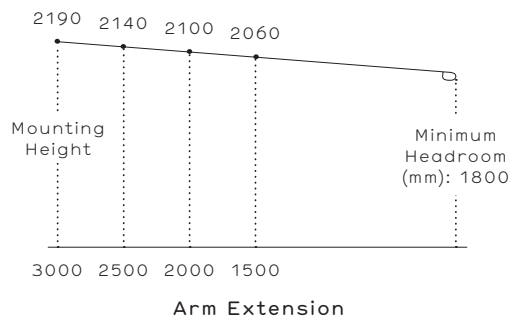


Ellipse Monobloc



- 1 Face fix bracket
- 2 40 × 40 × 3mm aluminium square bar
- 3 Square end cap
- 4 Adjustable pitch arm bracket
- 5 Arms
- 6 Fall bar hand
- 7 Fall bar – extruded aluminium
- 8 Fall bar endcap
- 9 Roller tube support bracket
- 10 78mm idle end
- 11 78mm drive bearing
- 12 78mm aluminium roller tube
- 13 Gearbox
- 14 Crank handle
- 15 Motor – automation (optional)

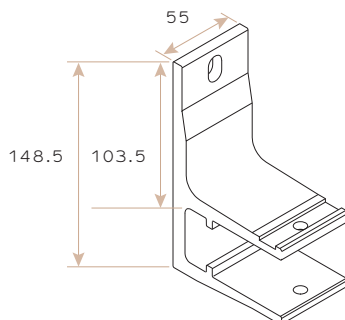
INSTALLATION HEIGHT REQUIREMENTS (MM)



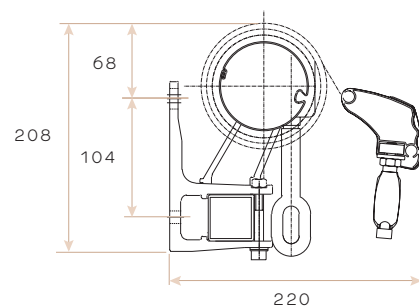
MINIMUM WIDTH VS PROJECTION (mm)

PROJECTION	GEARBOX	AUTOMATED
1500	2011	1978
2000	2503	2470
2500	3098	3065
3000	3590	3557

FACE FIX BRACKET (MM)

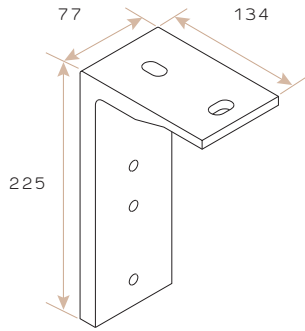


FACE FIX (MM)

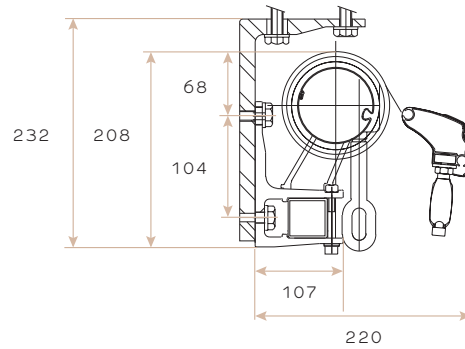


Ellipse Monobloc

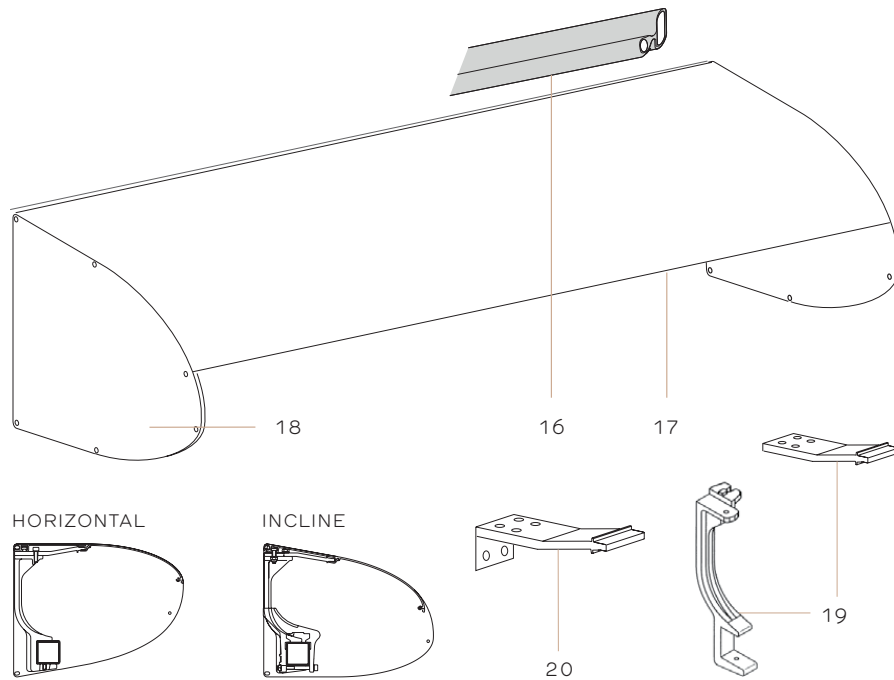
TOP FIX BRACKET (mm)



SOFFIT / TOP FIX (mm)



HOOD



- 16 Hood weather seal
- 17 Aluminum hood
- 18 Aluminium hood end plates
- 19 Hood bracket fixed to square tube
- 20 Hood wall bracket

